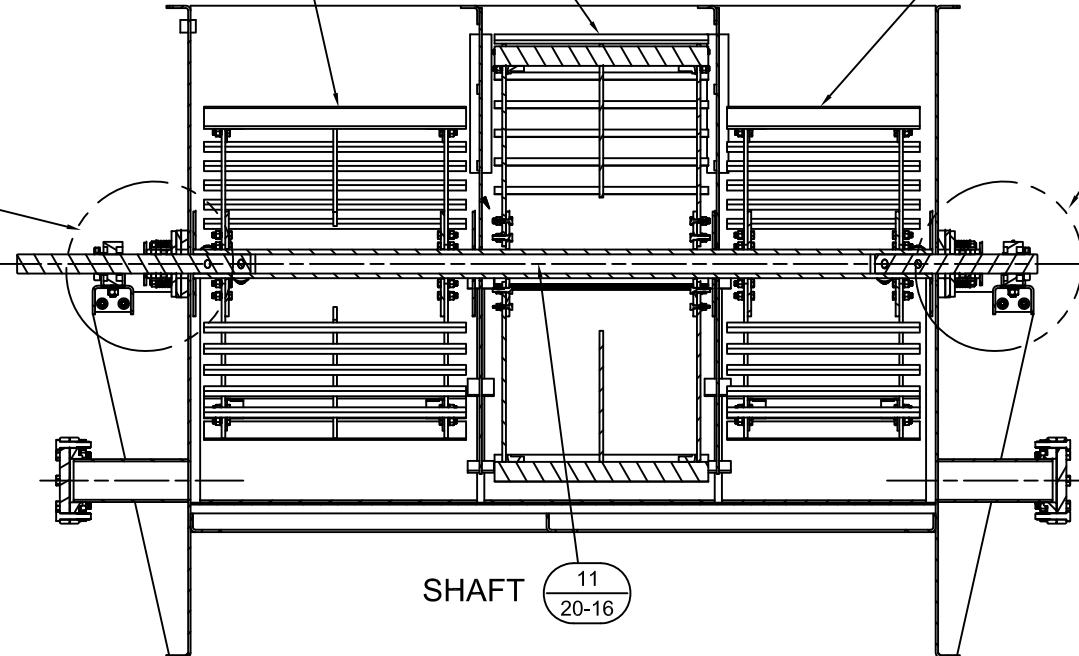


FEED END PADDLE (11 20-8) MID PADDLE OMITTED ON DV-09 & 022 (11 20-11) DISCHARGE PADDLE (11 20-12)

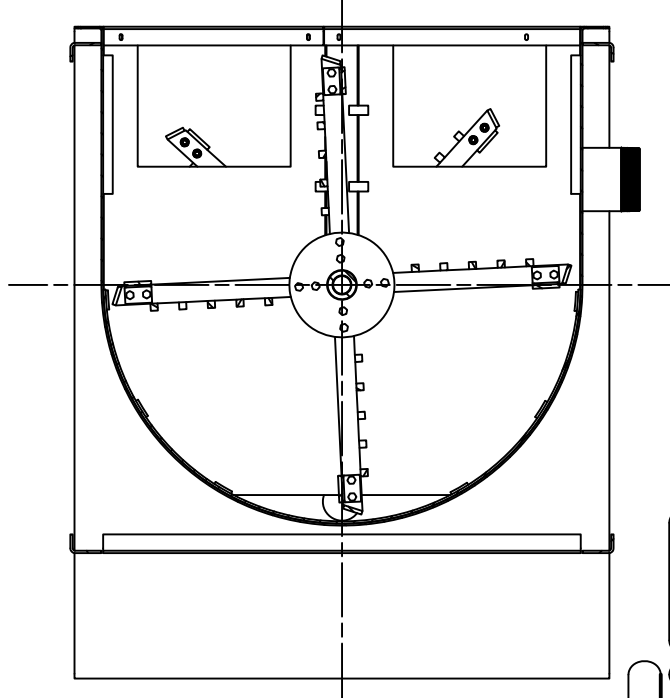
SEE DRIVE & SEAL ASSEMBLY

SEE DRIVE & SEAL ASSEMBLY



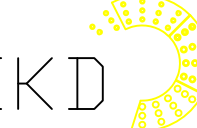
SHAFT (11 20-16)

SECTION A-A



 A BRAND NAME OF IKD
VULCAN IRON WORKS™

CUSTOMER:
DESCRIPTION: DV-50 STANDARD DRAWING AGITATOR INSTALL IN SLAKER SHELL

 12711 TOWNEPARK WAY
LOUISVILLE, KY 40219-1804 USA
TELEPHONE (502) 969-3535
FAX (502) 969-9028

REV. NO	DATE	BY	APPV.	DESCRIPTION

TOLERANCES UNLESS OTHERWISE NOTED

WHOLE NUMBER DIM.	1/16"	ANGULAR DIM.	1/2-
FRACTIONAL DIM.	1/16"	DECIMAL DIM. (<XX)	.010
		DECIMAL DIM. (<XXX)	.005

NOTICE: THE INFORMATION CONTAINED HEREIN IS PROPRIETARY TO LOUISVILLE DRYING MACHINERY AND SHALL NOT BE REPRODUCED OR DISCLOSED IN WHOLE OR IN PART, NOR USED FOR ANY DESIGN OR MANUFACTURING PURPOSE UNLESS AUTHORIZED IN WRITING BY LOUISVILLE DRYING MACHINERY

NEXT DWG'S: DV-50-10-014

DWG. BY: NEG	DATE: 12/29/2009
CHK. BY: -	
APPROVED BY: -	
SCALE:	DWG.# DV-50-20-022
	SHT. # OF: