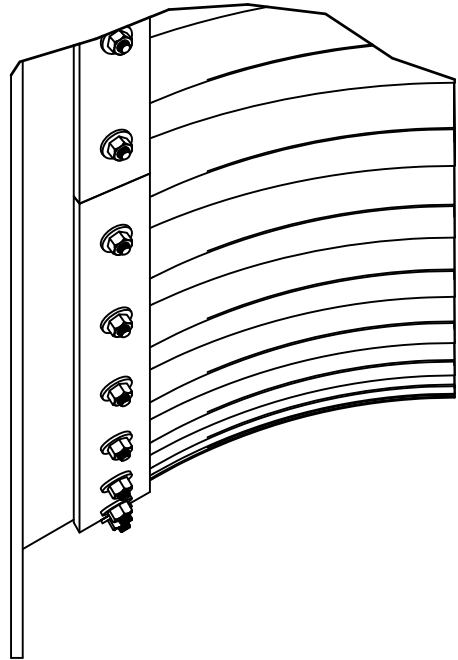
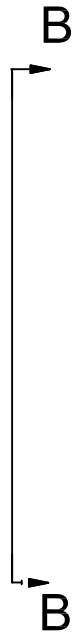
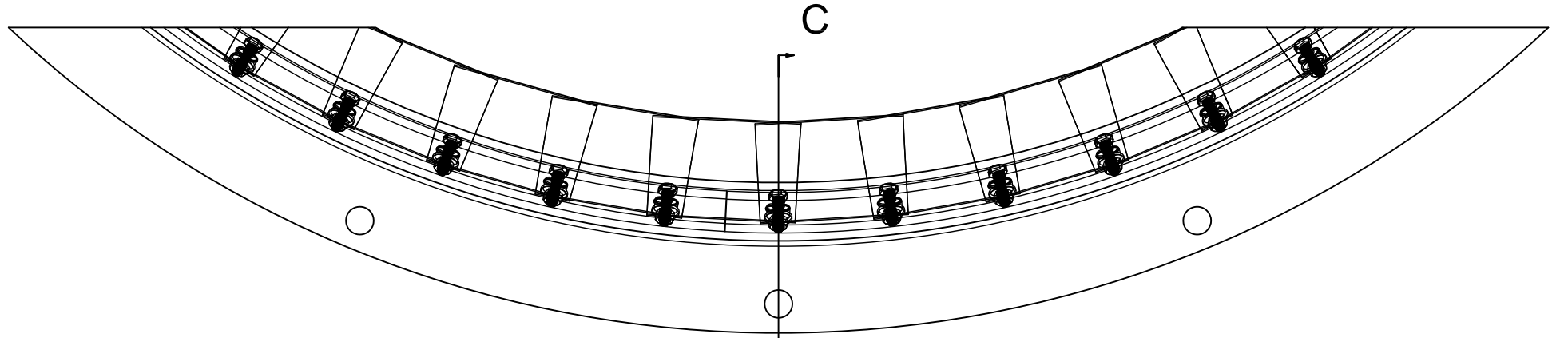


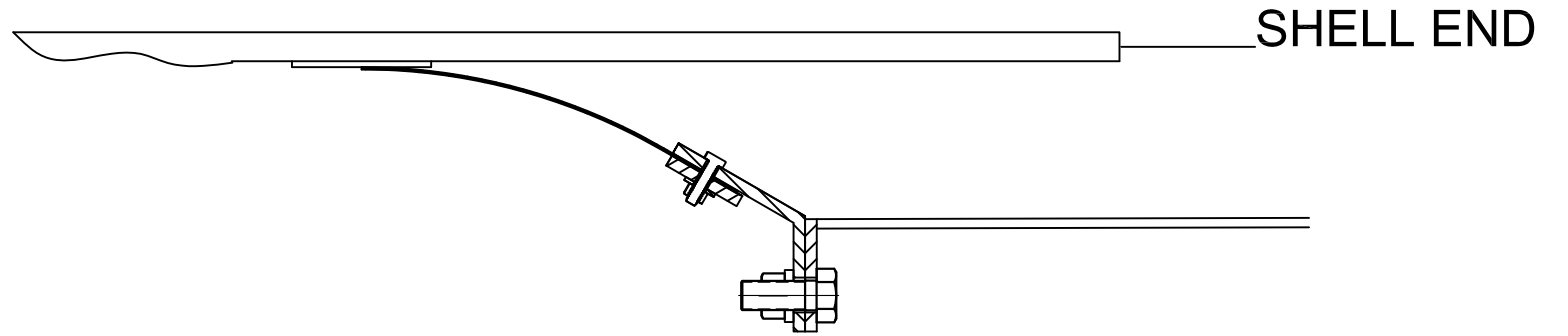
A



DETAIL A



VIEW B-B



SECTION C-C

SHELL END

 A BRAND NAME OF IKD
VULCAN IRON WORKS™

CUSTOMER:
DESCRIPTION: STANDARD SEAL
KILN SEAL ASSY

 12711 TOWNEPARK WAY
LOUISVILLE, KY 40219-1804 USA
TELEPHONE (502) 969-3535
FAX (502) 969-9028

DWG. BY: NEG DATE: 11/05/2009
CHK. BY: RPS
APPROVED BY: -
SCALE: DWG.# 18-00-045
SHT. # OF:

| REV. NO | DATE | BY | APPV. | DESCRIPTION |
|---------|------|----|-------|-------------|
| | | | | |

TOLERANCES UNLESS OTHERWISE NOTED

| | | | |
|-------------------|-------|---------------------|------|
| WHOLE NUMBER DIM. | 1/16" | ANGULAR DIM. | 1/2° |
| FRACTIONAL DIM. | 1/16" | DECIMAL DIM. (.XX) | .010 |
| | | DECIMAL DIM. (.XXX) | .005 |

NOTICE: THE INFORMATION CONTAINED HEREIN IS PROPRIETARY TO LOUISVILLE DRYING MACHINERY AND SHALL NOT BE REPRODUCED OR DISCLOSED IN WHOLE OR IN PART, NOR USED FOR ANY DESIGN OR MANUFACTURING PURPOSE UNLESS AUTHORIZED IN WRITING BY LOUISVILLE DRYING MACHINERY

NEXT DWG'S: