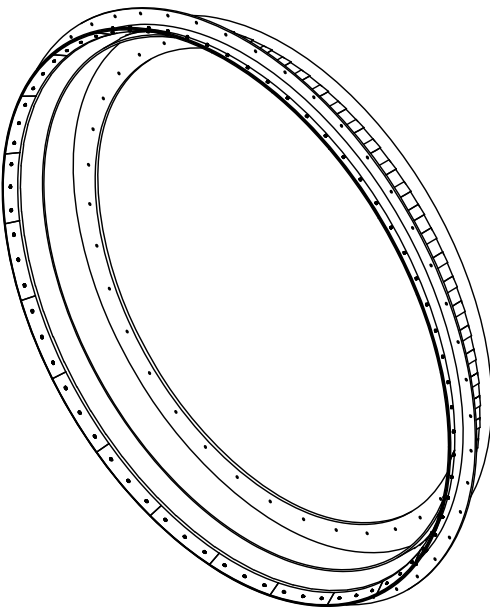
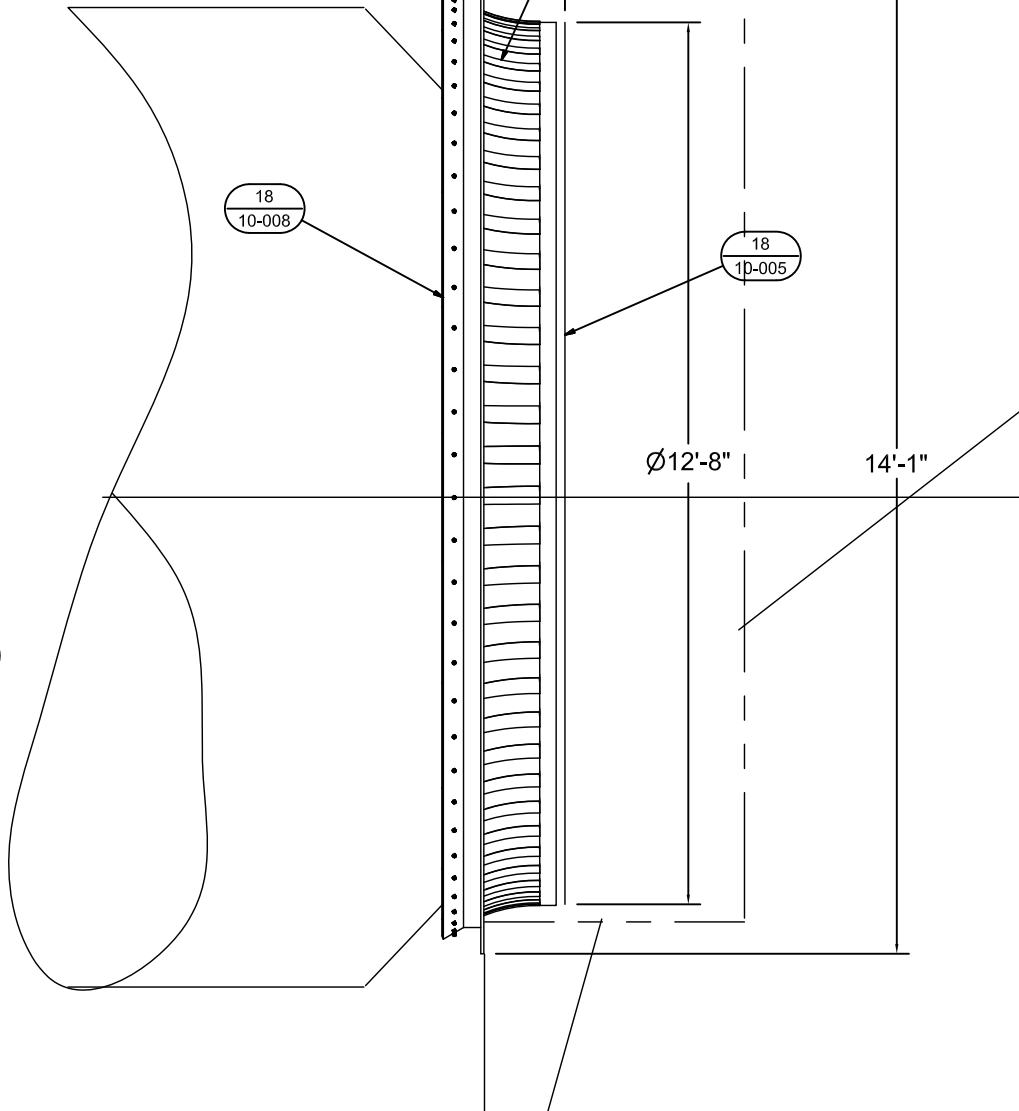
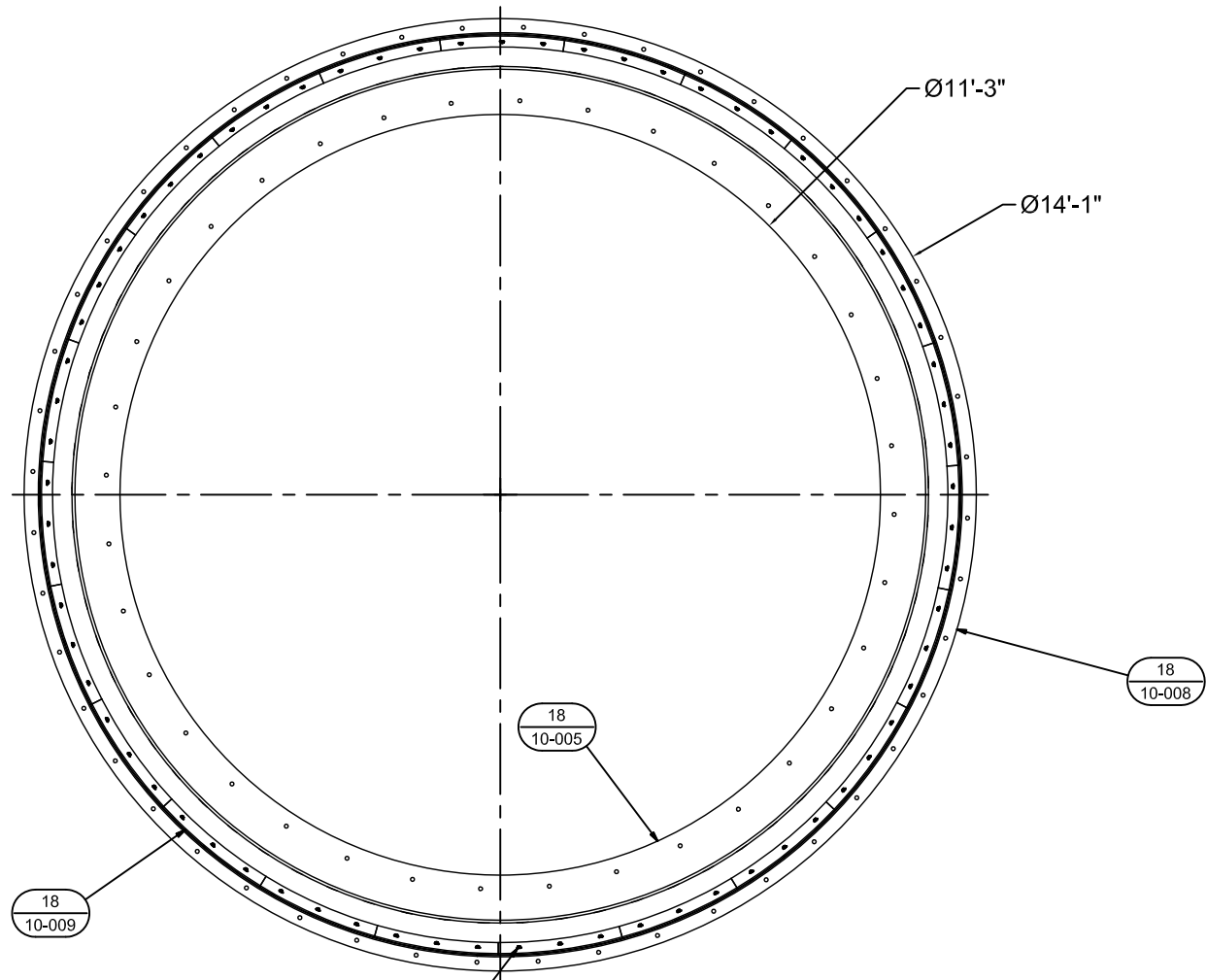


BILL OF MATERIALS							
CODE	ITEM	QTY	PART#	DESCRIPTION	NEXT DWG	MATERIAL	WEIGHT
18	10-001	69	18-10-001	PL-20 GAx10"x1'-5 1/2"	18-00-001	Carbon Steel, A-36	124.501
18	10-009	23	18-10-009	PL-1/4"x3 7/8"x1'-10 1/4"	18-00-001	Carbon Steel, A-36	138.376
18	10-008	1	18-10-008	SEAL BASE ASSY	18-00-001		614.509
18	10-005	1	18-10-005	WEAR RING ASSY	18-00-001		1846.903
2	3-4	69		HHCS-3/8"-16 x 1 1/4" B, LW & N Assy			2.088



ASSEMBLY # : **18**
00-001
MARK AS : 18-00-001



CUSTOMER:
DESCRIPTION: INVERTED SEAL
KILN SEAL ASSY

IKD 12711 TOWNEPARK WAY
LOUISVILLE, KY 40219-1804 USA
TELEPHONE (502) 969-3535
FAX (502) 969-9028

REV. NO	DATE	BY	APPV.	DESCRIPTION

TOLERANCES UNLESS OTHERWISE NOTED			
WHOLE NUMBER DIM.	1/16"	ANGULAR DIM.	1/2°
FRACTIONAL DIM.	1/16"	DECIMAL DIM. (.XX)	.010
		DECIMAL DIM. (.XXX)	.005

NOTICE: THE INFORMATION CONTAINED HEREIN IS PROPRIETARY TO LOUISVILLE DRYING MACHINERY AND SHALL NOT BE REPRODUCED OR DISCLOSED IN WHOLE OR IN PART, NOR USED FOR ANY DESIGN OR MANUFACTURING PURPOSE UNLESS AUTHORIZED IN WRITING BY LOUISVILLE DRYING MACHINERY

NEXT DWG'S:

DWG. BY: NEG	DATE: 11/05/2009
CHK. BY: RPS	
APPROVED BY: -	
SCALE:	DWG.# 18-00-001
	SHT. # OF: