

4

3

2

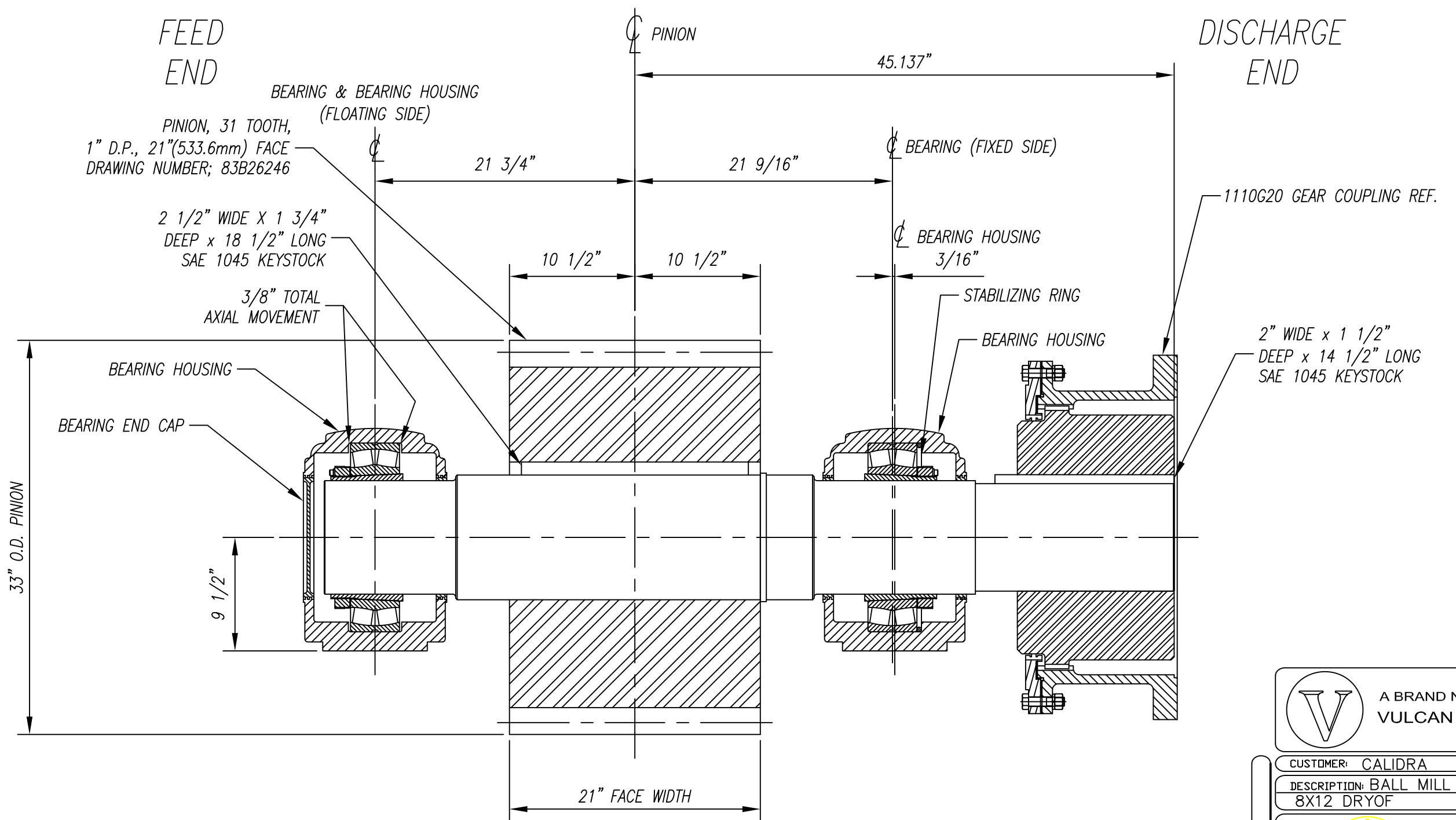
1

B

B

A

A



CUSTOMER: CALIDRA  
 DESCRIPTION: BALL MILL PINION ASM  
 8X12 DRYOF

**IKD** 12711 TOWNEPARK WAY  
 LOUISVILLE, KY 40219-1804 USA  
 TELEPHONE (502) 969-3535  
 FAX (502) 969-9028

REV. NO	DATE	BY	APPV.	DESCRIPTION

**TOLERANCES UNLESS OTHERWISE NOTED**

WHOLE NUMBER DIM.	1/16"	ANGULAR DIM.	1/2-
FRACTIONAL DIM.	1/16"	DECIMAL DIM. (<XX)	.010
		DECIMAL DIM. (<XXX)	.005

**NOTICE:** THE INFORMATION CONTAINED HEREIN IS PROPRIETARY TO LOUISVILLE DRYING MACHINERY AND SHALL NOT BE REPRODUCED OR DISCLOSED IN WHOLE OR IN PART, NOR USED FOR ANY DESIGN OR MANUFACTURING PURPOSE UNLESS AUTHORIZED IN WRITING BY LOUISVILLE DRYING MACHINERY

NEXT DWG'S: DV-2688-1

DWG. BY: NEG	DATE: 12-20-1998
CHK. BY: -	
APPROVED BY: -	
SCALE:	DWG.# BV-26288
SHT. #	OF:

4

3

2

1