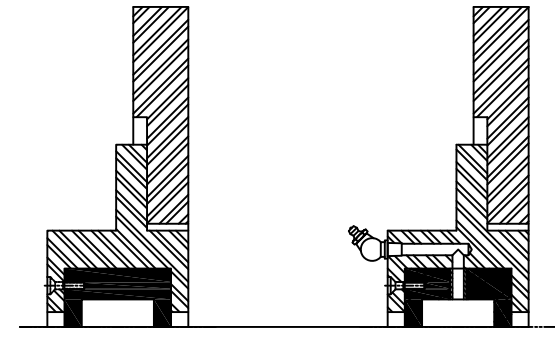
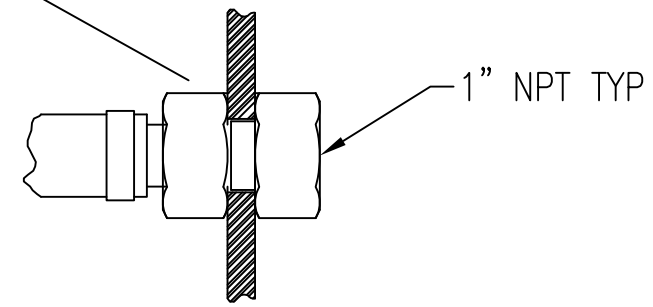
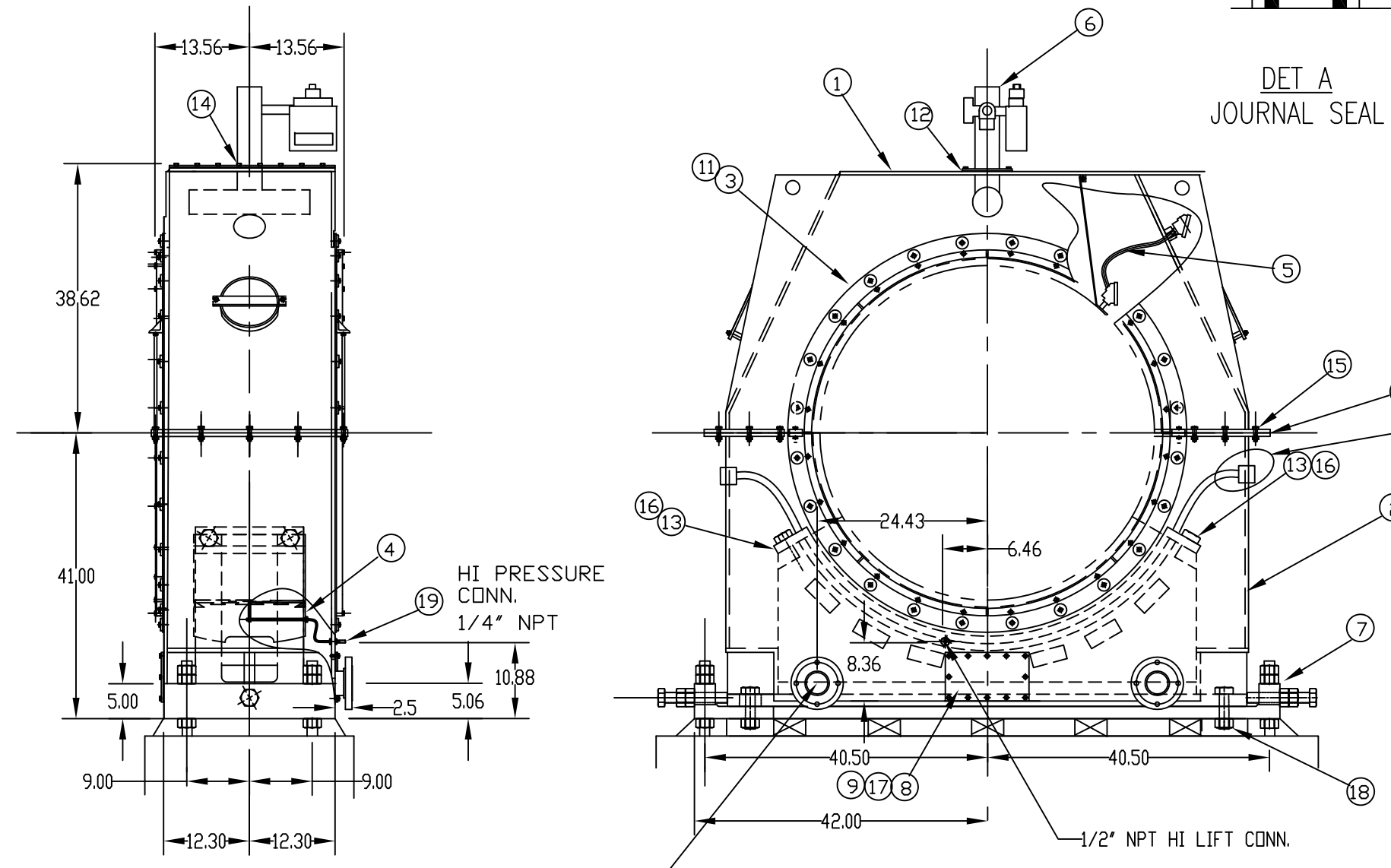


NO.	QTY.	DESCRIPTION
1	1	UPPER HOUSING, R00133
2	1	LOWER HOUSING, R00134
3	2	SEAL ASSEMBLY, R000135
4	1	BEARING LINER, R00136-1
5	1	RTD ASSEMBLY, R00137
6	1	OIL FEED PIPE ASSEMBLY, R00138
7	1	SLIDE BASE, R00139
8	1	CLEANOUT COVER, R00140-1
9	1	CLEANOUT COVER GASKET, R00140-2
10	1	PERMATEX FORM-A-GASKET 11 OZ
11	2	SEAL RETAINER GASKET, R00140-4
12	1	OIL FEED PIPE GASKET, R00140-5
13	1	BEARING LINER RETAINER, R00136-2
14	8	0.375-16 X 1.5 LG HEX HEAD BOLTS , A307
15	18	0.50-13UNC X 1.75 LG HEX HEAD BOLTS W/NUTS, A307
16	4	1.5-8UNC X 3.5 LG HEX HEAD BOLT , A307
17	24	0.375-16UNC HEX BOLTS X 1.5 LG, A307
18	1	1.5-8UNC X 5.5LG HEX HEAD BOLT WITH NUTS, ASTM 193
19	1	0.25 ID HYDRUALIC HOSE ASSEMBLY, R00141 RATED AT 10,000 PSIG
20		
21		
22		
23		
24		
25		
26		
27		
28		
29		



DET A JOURNAL SEAL
DET B JOURNAL SEAL SEE DWG R00136



DETAIL C WATER COOLING CONNECTION

3'-150# RF DRAIN CONN

V A BRAND NAME OF IKD
VULCAN IRON WORKS™

CUSTOMER: DUPONT
DESCRIPTION: 48X 16 MILL BEARING
9X12 WOF

IKD 12711 TOWNPARK WAY
LOUISVILLE, KY 40219-1804 USA
TELEPHONE (502) 969-3535
FAX (502) 969-9028

DWG. BY: NEG DATE: 6-14-1984
CHK. BY: -
APPROVED BY: -
SCALE: DWG.# BV-24388
SHT. # OF:

REV. NO	DATE	BY	APPV.	DESCRIPTION

TOLERANCES UNLESS OTHERWISE NOTED

WHOLE NUMBER DIM.	1/16"	ANGULAR DIM.	1/2°
FRACTIONAL DIM.	1/16"	DECIMAL DIM. (.XX)	.010
		DECIMAL DIM. (.XXX)	.005

NOTICE: THE INFORMATION CONTAINED HEREIN IS PROPRIETARY TO LOUISVILLE DRYING MACHINERY AND SHALL NOT BE REPRODUCED OR DISCLOSED IN WHOLE OR IN PART, NOR USED FOR ANY DESIGN OR MANUFACTURING PURPOSE UNLESS AUTHORIZED IN WRITING BY LOUISVILLE DRYING MACHINERY

NEXT DWG'S: DV-2433-1