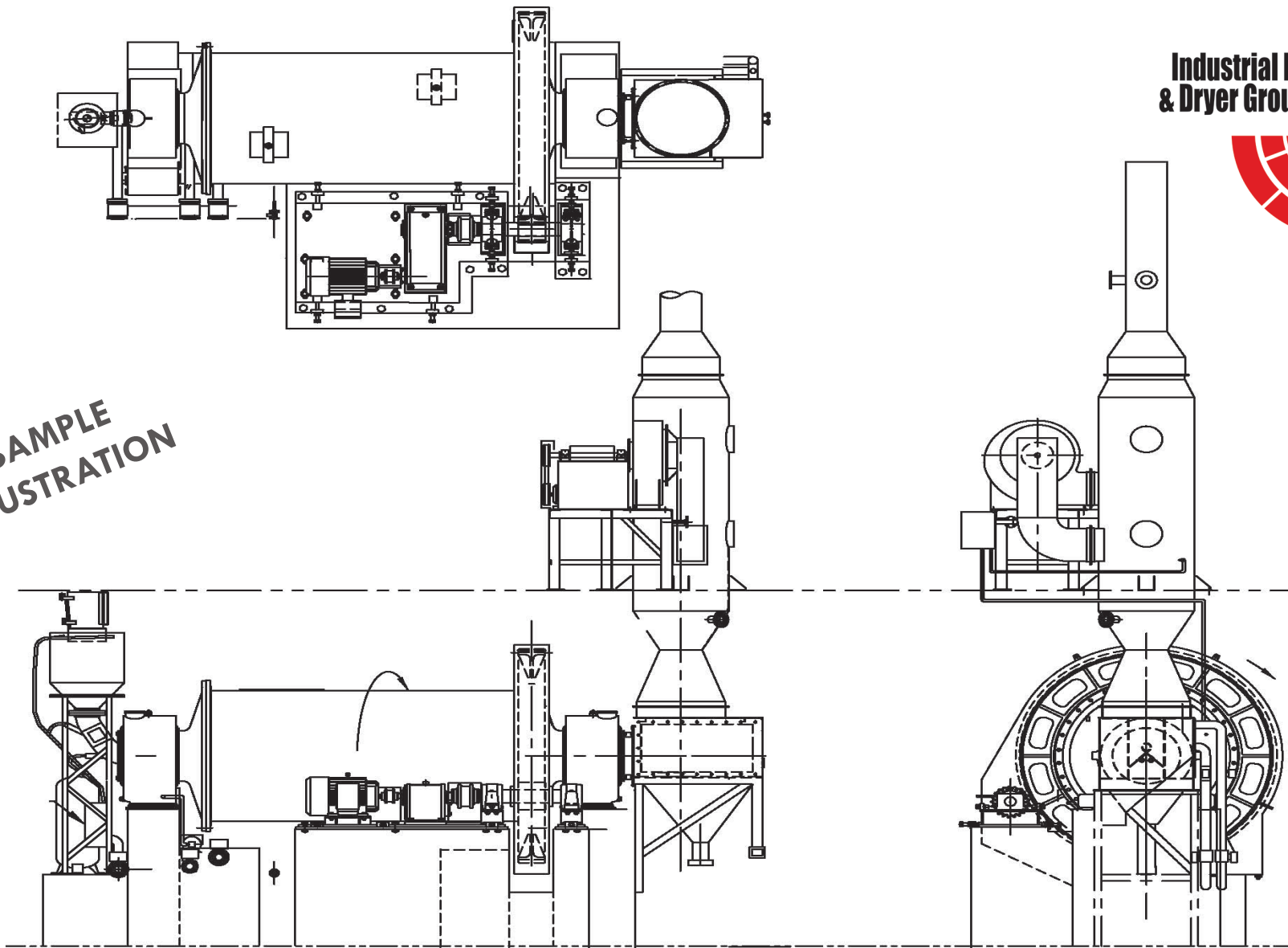


**SAMPLE  
ILLUSTRATION**



**BALL MILL PERFORMANCE TABLE**

MODEL	MILL SIZE	CaO FEED	Ca(OH) <sub>2</sub>	MILL WATER	MILL HP	MILL BRAKE HP	MILL SLURRY @ 30% SOLIDS	DILUTION WATER	DILUTED SLURRY @ 15% SOLIDS	BALL CHARGE
VB-0305	3'DX5'LG	1.25 TPH	1.65 TPH	17GPM	15HP	12HP	18 GPM	37 GPM	40 GPM	1950#
VB-0408	4'DX8'LG	4 TPH	5.28 TPH	53 GPM	40HP	36HP	58 GPM	71 GPM	128 GPM	6000#
VB-0510	5'DX10'LG	7.5 TPH	9.9 TPH	104 GPM	100 HP	87 HP	108 GPM	132 GPM	240 GPM	11000#
VB-0612	6'DX12'LG	15 TPH	19.8 TPH	207 GPM	175HP	162HP	218 GPM	264 GPM	482 GPM	22500#
VB-0715	7'DX15LG	35 TPH	46.25 TPH	484 GPM	300HP	262HP	508 GPM	616 GPM	1124 GPM	38000#
VB-0816	8'DX16'LG	50 TPH	66 TPH	689 GPM	450HP	383HP	726 GPM	880 GPM	1606 GPM	53500#

**FOR MORE INFORMATION, CALL (877) 316-6140**